

# **Ice-O-Matic**<sup>®</sup>

Ice. Pure and Simple<sup>™</sup>

## **SERVICE PARTS MANUAL HOTEL DISPENSER MODEL CD40030 and CD40022**



14-1014

Date 4/02/2025

# CD40022 and CD40030 Service Parts

This is the list of service parts and for all versions of these two hotel dispensers.

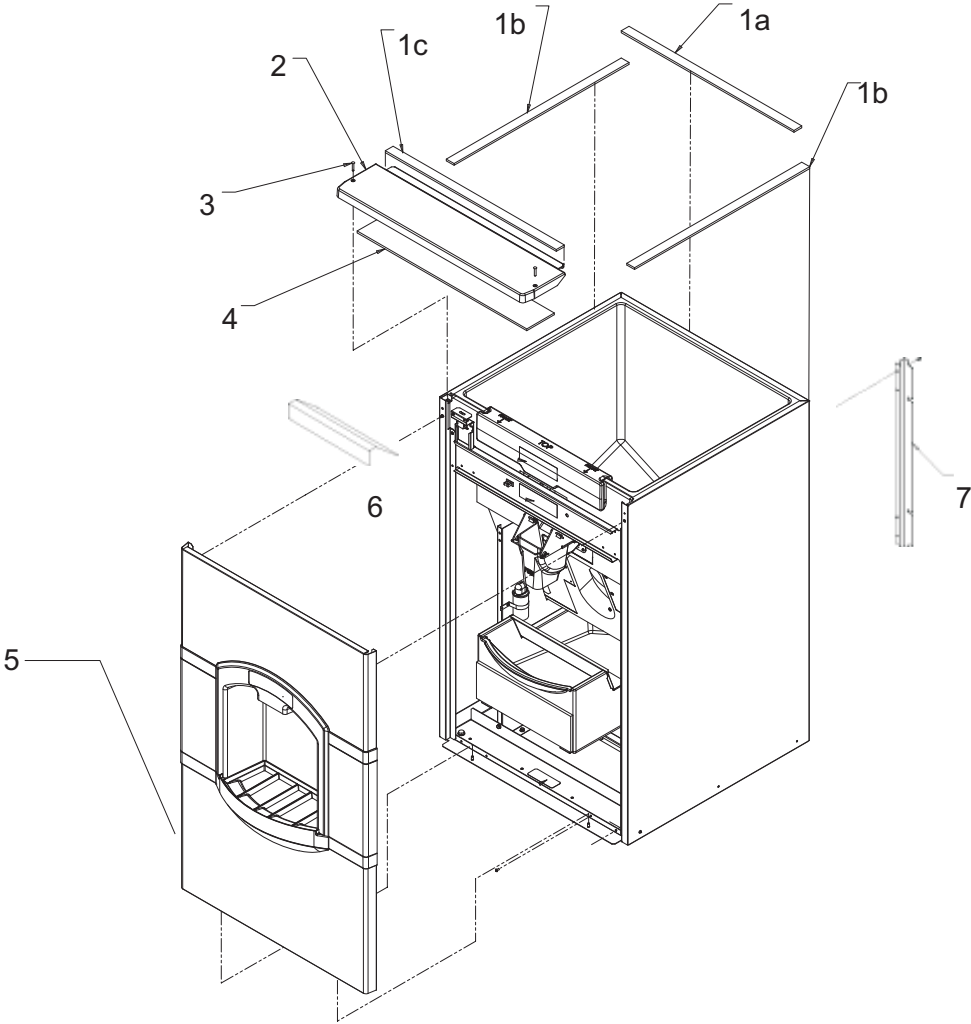
Pay close attention to the voltage and/or cycles to be sure of ordering the correct part.

## Table of Contents

Front and Top Panels . . . . .	Page 2
CD40030 & CD40022 Front Panel . . . . .	Page 3
CD40130 and CD40230 Front Panel & Related Parts . . . . .	Page 4
Side, Back and Interior Panels . . . . .	Page 5
Dispensing Components . . . . .	Page 6
Ice Chute Mechanism . . . . .	Page 7
Ice Catch Pan . . . . .	Page 8
Control Box . . . . .	Page 9

# CD40022 and CD40030 Service Parts

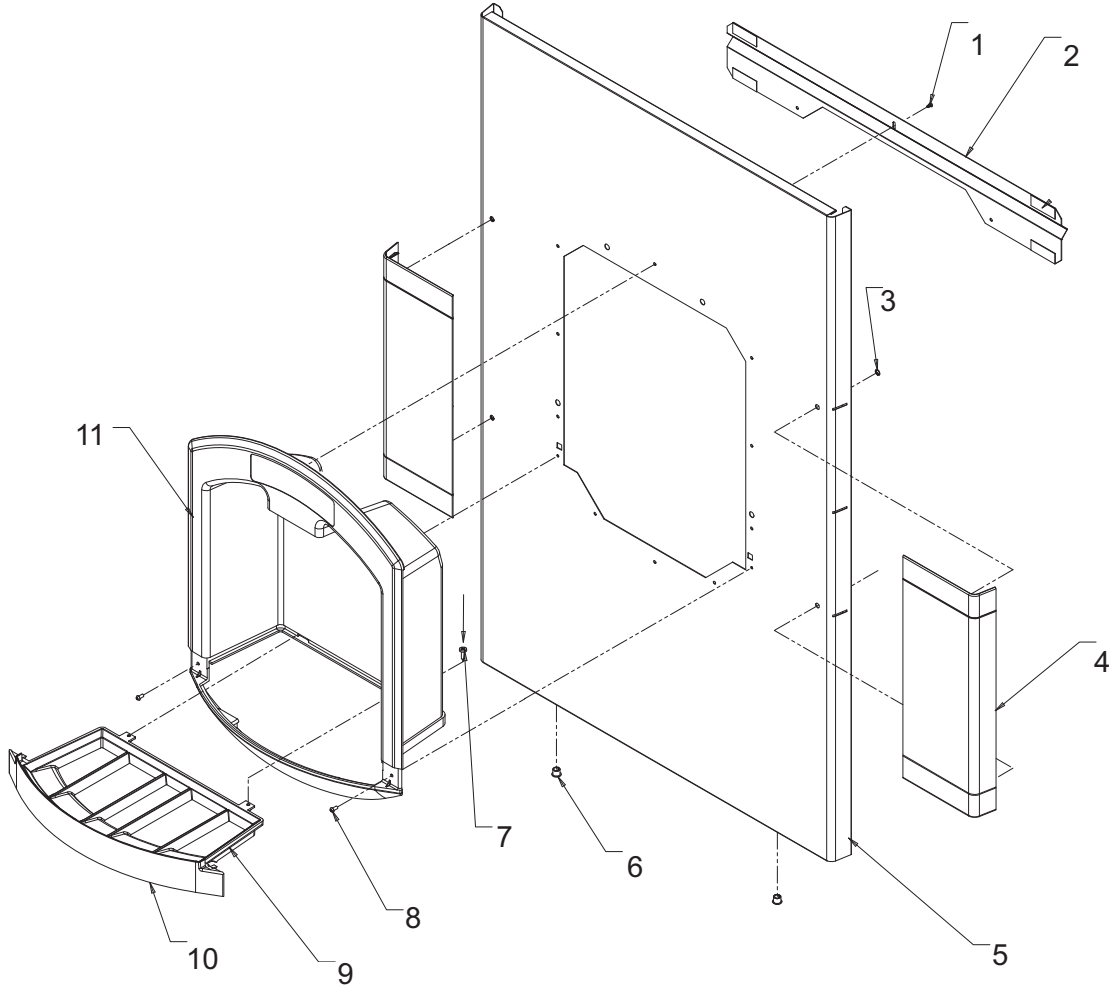
## Front and Top Panels



Item Number	Part Number	Description
1	1011339-104	Gasket tape, order by ft.
1a	1011339-104	Use 27.5" for CD40030, 19.5" for CD40022
1b	1011339-104	Use 27.88"
1c	1011339-104	Use 27.25" for CD40030, 19.25" for CD40022
2	1011351-24	CD40030 top panel
	1011351-25	CD40022 top panel
3	1011351-42	Top panel screw
4	1011351-26	CD40030 panel insulation
	1011351-27	CD40022 panel insulation
5		See Page 3
		See Page 3
		See Page 3
6	1011351-120	Ice deflector-30 inch wide only
7	1011351-110	30 inch wide ice machine mounting bracket
	1011351-111	22 inch wide ice machine mounting bracket <b>NLA</b>
8	1011339-143	Leg Set (4 ea)

# CD40022 and CD40030 Service Parts

## CD40030 & CD40022 Front Panel

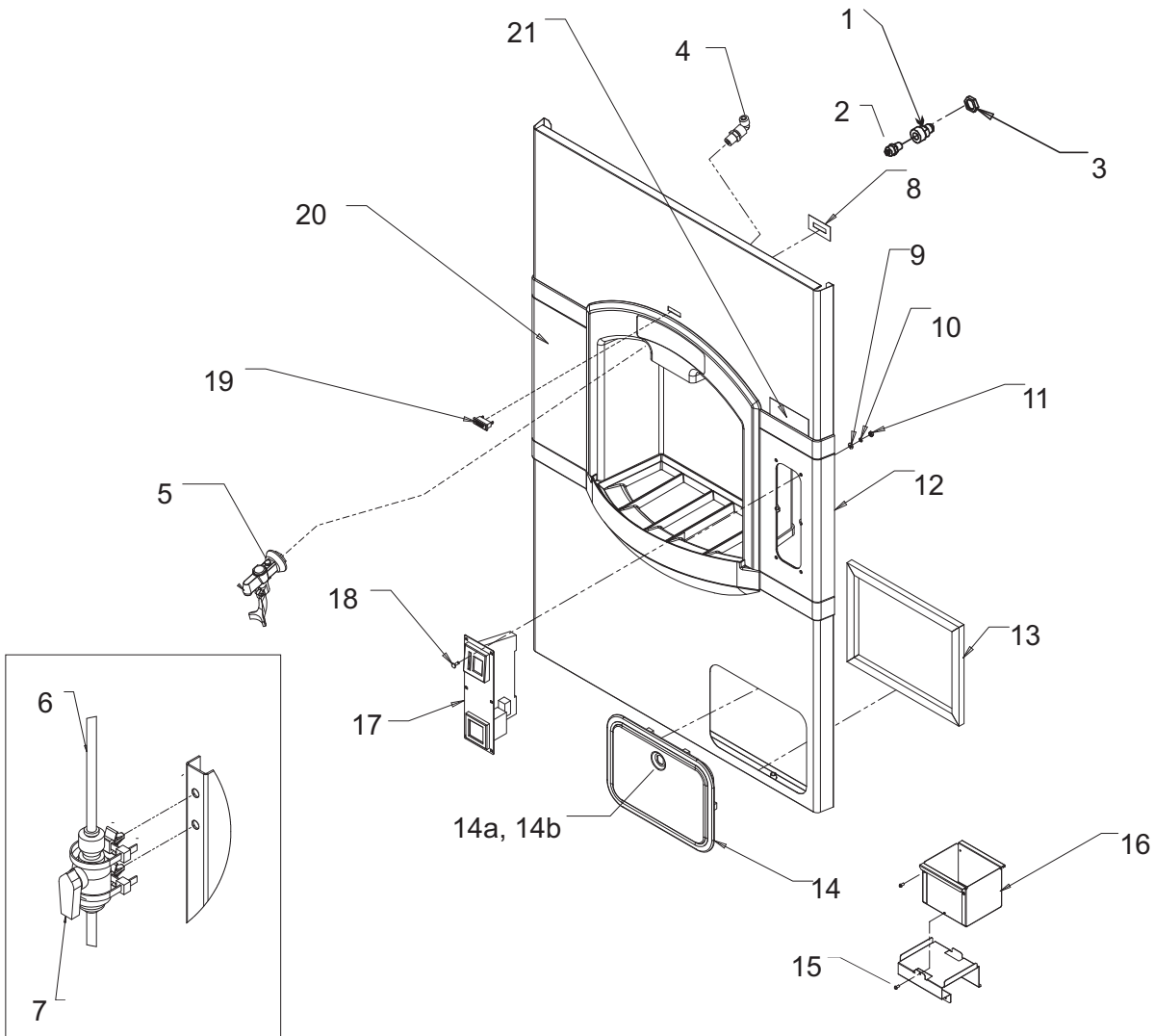


Item Number	Part Number	Description	Item Number	Part Number	Description
1	1011351-44	Screw	6	1011351-50	Snap bushing
2	1011351-106	CD40030 stiffener	7	1011351-32	Screw
	1011351-107	CD40022 stiffener	8	9031046-27	Screw
3	1011351-36	Retainer	9	1011351-82	Foam gasket, 6" per side
4	1011351-17	CD40030 side flange	10	1011351-16	Grill
	1011351-19	CD40022 side flange	11a	1011351-14	CD40022, CD40030, CD40230 dispense housing
5	1011351-89	CD40030 Front panel*			
	1011351-91	CD40030 Front panel* (Coin Mech Panel)	11b	1011351-15	CD40130 dispense housing
	1011351-92	CD40022 Front panel*			

\* includes items 1 thru 4

# CD40022 and CD40030 Service Parts

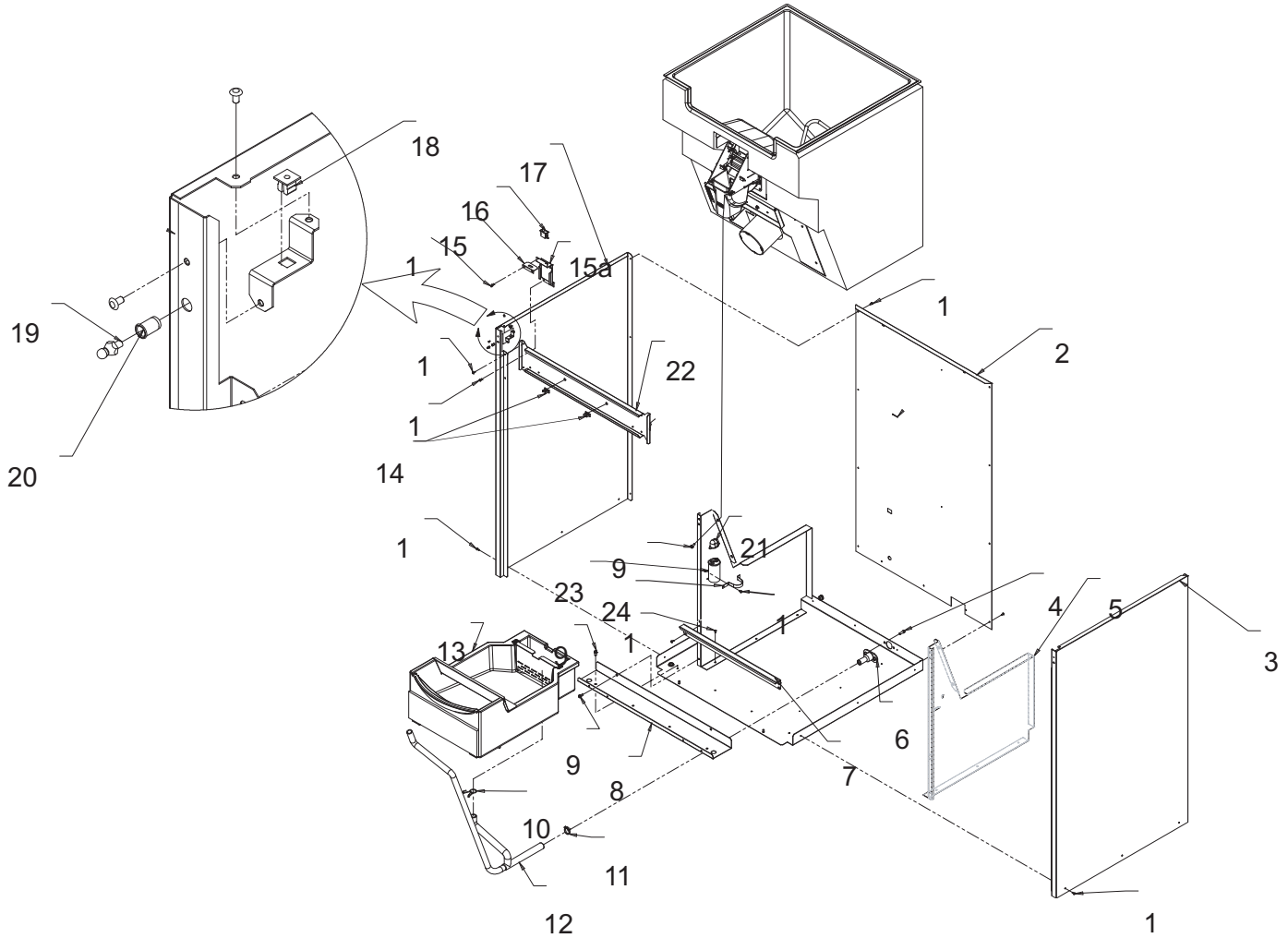
## CD40130 and CD40230 Front Panel & Related Parts



Item Number	Part Number	Description	Item Number	Part Number	Description
1	1011351-74	Water inlet fitting	12	1011351-20	Right side flange for coin mech model
2	1011351-75	Straight connector	13	1011351-01	Door shim <b>NLA</b>
3	1011351-31	Pal nut	14	1011351-60	Door and lock
4	1011351-77	Male elbow connector	14a	1011351-64	Lock and key
5	1011351-23	Water faucet	14b	1011351-65	Key
6	1011351-71	Tubing, order per ft	15	9031046-27	Coin box screw
7	1011351-78	Shut off valve	16	1011351-114	Coin box <b>NLA</b>
8	1011351-119	Indicator light backing	17	1011351-62	Coin mechanism
9	1011339-52	Washer for coin mech		1011351-63	Coin switch
10	1011339-65	Lockwasher	18	1011351-61	Mounting screw
11	1011339-50	Hex nut (8-32)	19	1011351-68	Ready light
			20	NLA	CD40030 left side flange
			21	1011351-79	Coin mech label

# CD40022 and CD40030 Service Parts

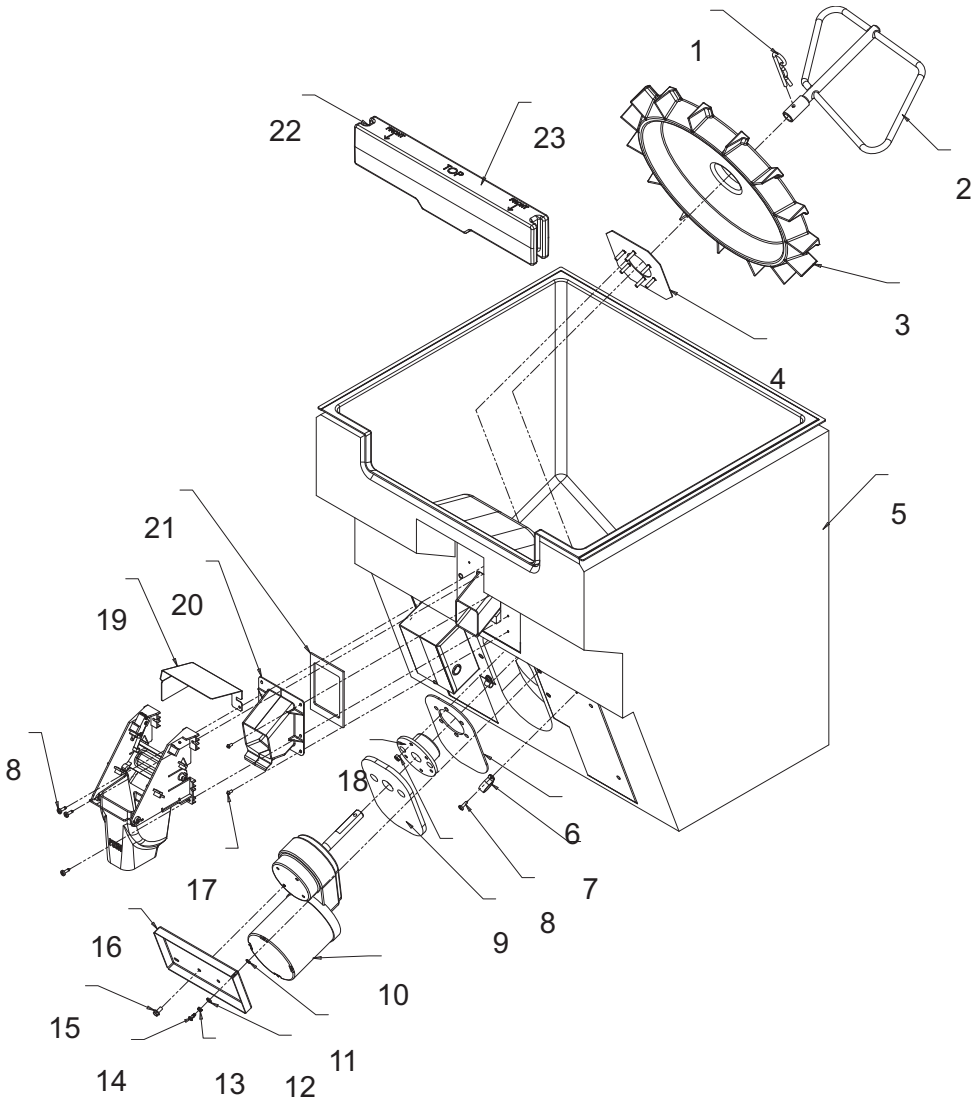
## Side, Back and Interior Panels



Item Number	Part Number	Description	Item Number	Part Number	Description
1	9031046-27	Screw	12	1011351-21	Drain hose
2	1011351-95	CD40030 back panel	13	1011351-87	Drain pan, assembled
	1011351-121	CD40022 back panel	14	1011351-04	Wire clamp (coin mech)
3	1011351-94	Right side panel, includes hardware	15	1011351-113	Switch plate top
4	1011351-30	Screw	15a	1011351-112	Switch plate
5	1011351-97	Bin support, right	16	1011339-84	Switch, interlock
	1011351-96	Bin support, left	17	1011351-84	Left side panel, includes mounting hardware
6	1011447-23	Drain fitting	18	1011351-43	Plastic nut
7	1011351-105	Catch pan support <b>NLA</b>	19	1011351-40	Strike (ball stud)
8	1011351-108	CD40030 base stiffener	20	1011351-41	Insert
	1011351-109	CD40022 base stiffener	21	1011351-70	Terminal cover
9	1011339-74	Screw	22	1011351-101	CD40030 support brckt
10	1011351-07	Hose clamp		1011351-102	CD40022 support brckt
11	1011351-03	Hose clamp	23	1011351-80	Motor capacitor <b>NLA</b>
			24	1011351-83	Strap

# CD40022 and CD40030 Service Parts

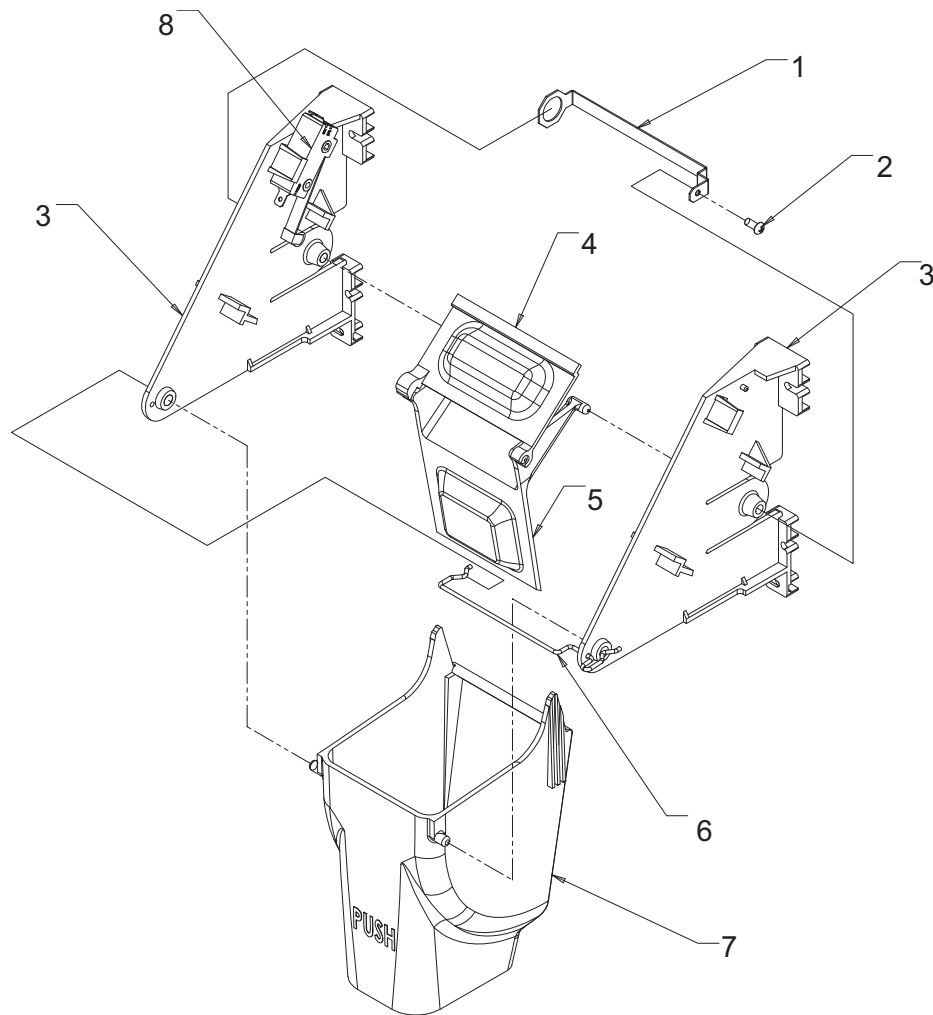
## Dispensing Components



Item Number	Part Number	Description	Item Number	Part Number	Description
1	1011351-45	Hitch pin	11	NLA	Retainer
2	1011351-22	Sweep arm	12	1011351-39	Cupped washer
3	1011339-144	Dispense rotor	13	1011351-38	Spring
4	1011339-235	Hub plate	14	1011351-46	¼ turn stud
5	1011351-85	CD40030 bin assembly	15	1011339-74	Screw
	1011351-86	CD40022 bin assembly	16	1011351-104	Mounting plate
6	1011351-73	Insulation pad	17	9031046-27	Screw
7	1011351-48	Loop clamp	18	1011339-160	Hub
8	1011351-46	Screw Prior to March 23, 2012	19	1011351-115	Switch guard
9	1011351-72	Insulation for hub	20	1011351-12	Spout
10	1011351-66	Dispense gearmotor, dual voltage	21	1011351-29	Gasket
			22	1011351-81	Gasket, 4" each end
			23	1011351-103	Bin door

# CD40022 and CD40030 Service Parts

## Ice Chute Mechanism

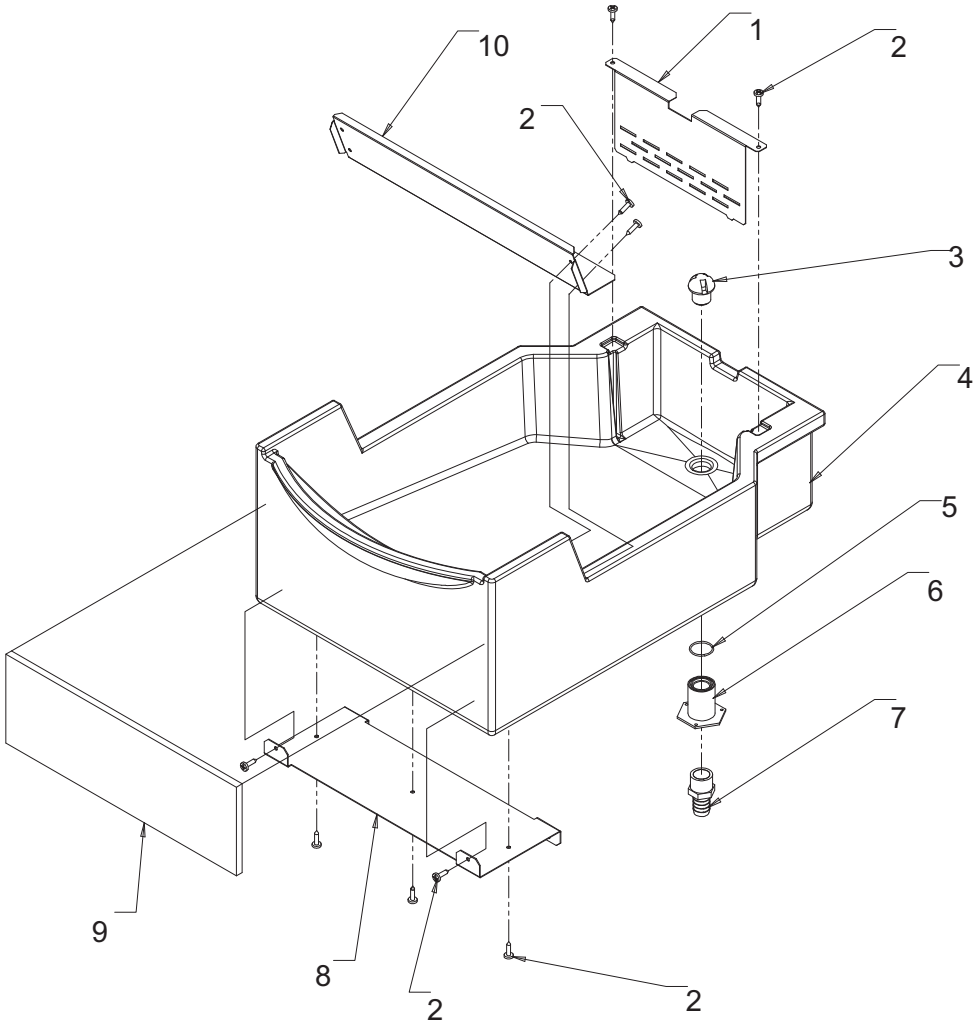


Item Number	Part Number	Description
1	1011351-118	Clip
2	9031046-27	Screw
3	1011351-11	Bracket
4	1011351-10	Door lock
5	1011351-09	Door
6	1011351-13	Wire
7	1011351-08	Dispense chute
8	1011351-53	Vend switch



# CD40022 and CD40030 Service Parts

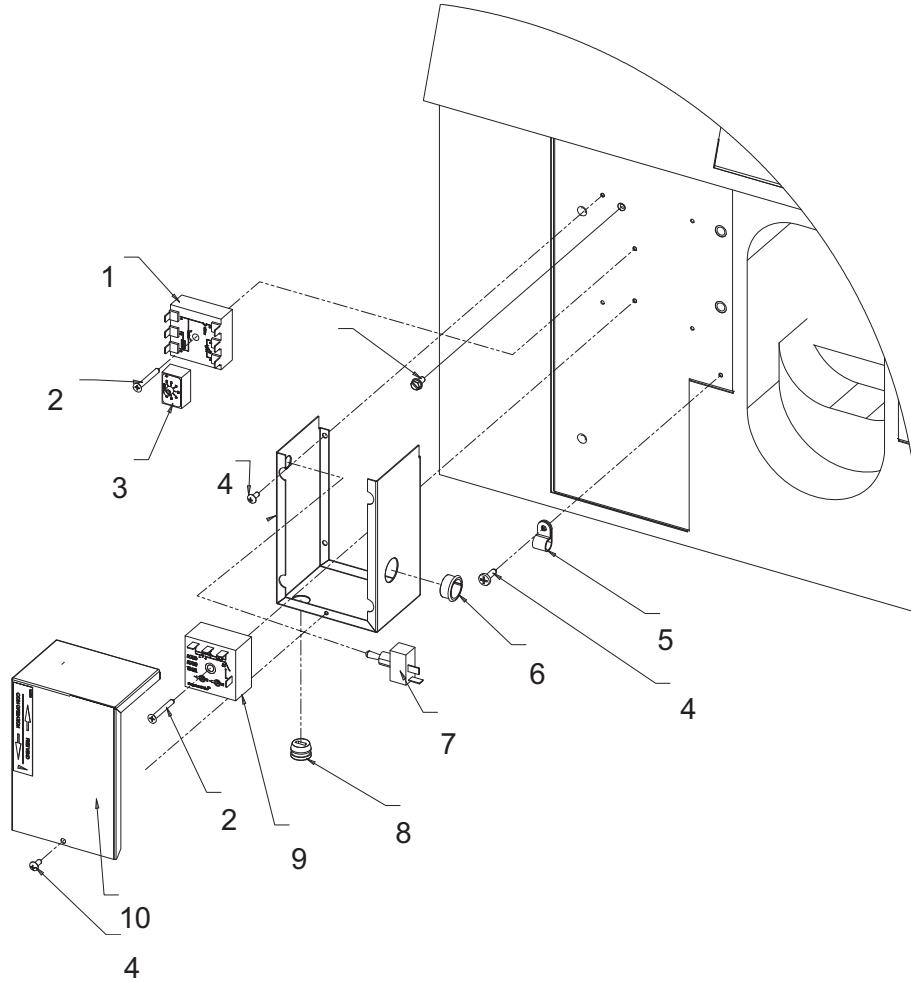
## Ice Catch Pan



Item Number	Part Number	Description
1	1011351-99	Screen
2	NLA	Screw
3	1011351-02	Drain top
4	1011351-87	Complete assembly as shown
5	1011351-69	O-ring
6	1011351-05	Drain bottom
7	1011351-76	Drain fitting
8	1011351-117	Drain pan bracket
9	1011351-28	Foam pad
10	1011351-116	Drain guard

# CD40022 and CD40030 Service Parts

## Control Box



Item Number	Part Number	Description	Not shown	
1	1011351-124	Coin mech timer	11	1011351-54 60 Hz harness, basic and water
2	1011351-35	Screw		NLA Coin mech harness
3	1011351-58	Adjustment module		1011351-67 50 Hz harness
4	1011339-70	Screw	12	1011351-52 115 volt power cord
5	1011351-47	Loop clamp		1011351-51 230 volt power cord
6	1011339-82	Snap bushing NLA		
7	1011380-77	Free vend switch		
8	1011351-49	Strain relief		
9	1011351-55	60 Hz off cycle timer		
	1011351-56	50 Hz off cycle timer		
10	1011351-98	Control box cover		

